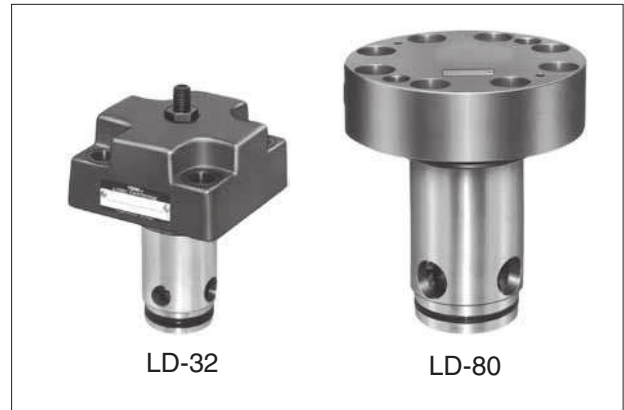


## Directional Control / Directional & Flow Control Logic Valves

These valves are 2-way directional valves designed to open and close the circuits in accordance with pressure signals from the pilot lines. They are used as multifunctional valves for controlling flow directions or flow directions and rates.

Standard covers provided with a choice of several control valves are available so that optimum valves can be selected for control purposes.

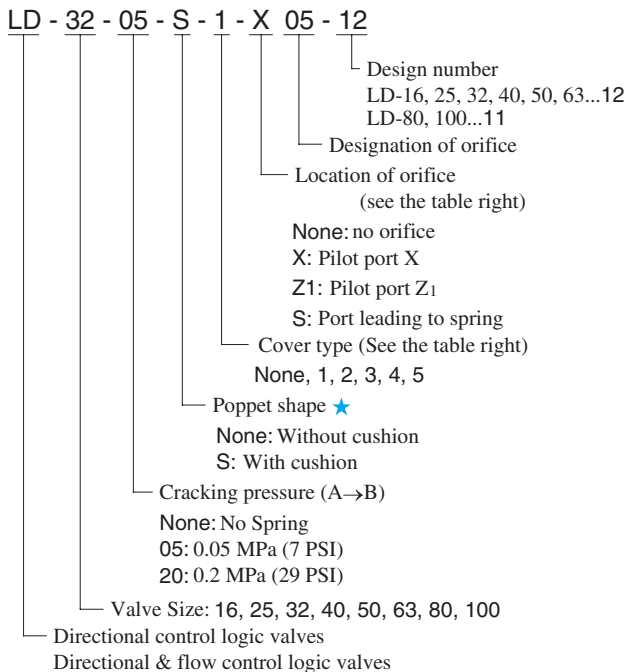


### Specifications

Model No.	Rated Flow L/min (U.S.GPM)	Max. Operating Pressure MPa (PSI)	Cracking Pressure MPa (PSI)	Ratio of Poppet Area	Approx. Mass kg (lbs.)
LD-16	130 (34.3)	31.5 (4570)	Refer to Model No. Designation	2 : 1 (Annular area 50%)	1.6 (3.5)
LD-25	350 (92.5)				3.0 (6.6)
LD-32	500 (132)				5.3 (11.7)
LD-40	850 (225)				9.1 (20.1)
LD-50	1400 (370)				14.8 (32.6)
LD-63	2100 (555)				29.8 (65.7)
LD-80	3400 (898)				48 (106)
LD-100	5500 (1453)				86 (190)

Note: The rated flow is values with a pressure drop of 0.3 MPa (44 PSI) [fluid viscosity 35 mm<sup>2</sup>/s (164 SSU)].

### Model Number Designation



### ★ Poppet shapes

The type without a cushion and the type with a cushion are both suitable for high-speed shifting and shockless shifting respectively. For directional and flow control logic valves, be sure to specify "poppet with cushions".

### List of Cover Types

Cover Type Designation	Graphic Symbols	Valve Size							
		16	25	32	40	50	63	80	100
Directional Control	Standard (None)	○	○	○	○	○	○	○	○
	With Check Valve (4)	○	○	○	○	○	○	—	—
	With Shuttle Valve (5)	○	○	○	○	○	○	—	—
Directional & Flow Control	With Stroke Adjuster (1)	○	○	○	○	○	○	○	○
	With Check Valve & Stroke Adjuster (2)	○	○	○	○	○	○	—	—
	With Shuttle Valve & Stroke Adjuster (3)	○	○	○	○	○	○	—	—