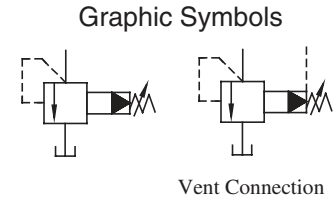
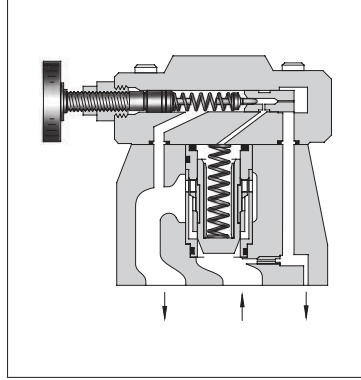


## Low Noise Type Pilot Operated Relief Valves

Pilot operated relief valves here have been particularly developed as low-noise types. Able to protect pumps and control valves against excessive pressures, they are used to control the pressure in the hydraulic system to a constant level. Remote control and unloading are permitted by using vent circuits.



### Specifications

Model Numbers	Max. Operating Pressure MPa (PSI)	Pres. Adj. Range MPa (PSI)	Max. Flow L/min (U.S.GPM)	Approx. Mass kg (lbs.)
S-BG-03-*-40*	25 (3630)	Note	100 (26.4)	4.1 (9.0)
S-BG-06-*-40*		★-25	200 (52.8)	5.0 (11.0)
S-BG-10-*-40*		(★-3630)	400 (106)	10.5 (23.2)

Note: See minimum adjustment pressure characteristics on page 218.

### Model Number Designation

F-	S-	B	G	-03	-V	-L	-40	*
Special Seals	Low Noise Type	Series Number	Type of Mounting	Valve Size	High Venting*1	Direction of Handle	Design Number	Design Std.
<b>F:</b> Special Seals for Phosphate Ester Type Fluids (Omit if not required)	<b>S:</b> Low Noise Type	<b>B:</b> Pilot Operated Relief Valves	<b>G:</b> Sub-plate Mounting	03	<b>V:</b> For High Venting Pressure Feature (Omit if not required)	(Viewed from pressure gauge connection) <b>L:</b> Left (Normal) <b>R:</b> Right	40	Refer to ★2
				06			40	
				10			40	

★1. Use the high venting pressure type where it is necessary to reduce the response time from unloading to onloading.

★2. Design Standards: None ..... Japanese Standard "JIS" and European Design Standard 90 ..... N. American Design Standard

### Sub-plate

Valve Model Numbers	Japanese Standard "JIS"		European Design Standard		N. American Design Standard		Approx. Mass kg (lbs.)
	Sub-plate Model Numbers	Thread Size	Sub-plate Model Numbers	Thread Size	Sub-plate Model Numbers	Thread Size	
S-BG-03	BGM-03-20	Rc 3/8	BGM-03-3080	3/8 BSP.F	BGM-03-2090	3/8 NPT	2.4 (5.3)
	BGM-03X-20	Rc 1/2	BGM-03X-3080	1/2 BSP.F	BGM-03X-2090	1/2 NPT	3.1 (6.8)
S-BG-06	BGM-06-20	Rc 3/4	BGM-06-3080	3/4 BSP.F	BGM-06-2090	3/4 NPT	4.7 (10.4)
	BGM-06X-20	Rc 1	BGM-06X-3080	1 BSP.F	BGM-06X-2090	1 NPT	5.7 (12.6)
S-BG-10	BGM-10-20	Rc 1-1/4	BGM-10-3080	1-1/4 BSP.F	BGM-10-2090	1-1/4 NPT	8.4 (18.5)
	BGM-10X-20	Rc 1-1/2	BGM-10X-3080	1-1/2 BSP.F	BGM-10X-2090	1-1/2 NPT	10.3 (22.7)

• Sub-plates are available. Specify the sub-plate model number from the table above. When sub-plates are not used, the mounting surface should have a good machined finish.

• The sub-plates are those for pilot operated relief valves. For dimensions, see page 213.

- Attachment
- Mounting Bolts

Valve Model Numbers	Socket Head Cap Screw		Qty.
	Japanese Std. "JIS" and European Design Std.	N. American Design Std.	
S-BG-03	M12 × 40 Lg.	1/2-13 UNC × 1-1/2 Lg.	4
S-BG-06	M16 × 50 Lg.	5/8-11 UNC × 2 Lg.	4
S-BG-10	M20 × 60 Lg.	3/4-10 UNC × 2-1/4 Lg.	4

### Instructions

- If a remote control relief valve is used in the vent circuit, see [page 203](#). In addition, if the internal volume of the vent line is too large, chattering is likely to occur. Thus, as far as possible reduce the inside Dia. and the length of the pipe.
- To adjust the pressure, loosen the lock nut and turn the handle slowly clockwise for higher pressures or anti-clockwise for lower pressures. After adjustments, do not forget to tighten the lock nut.
- Piping of the tank line should not be connected to any tank line of the other valves, but connected directly to the reservoir.
- Pressure is limited by collars. If a working pressure cannot be attained, remove some collars. One collar is equivalent to 10 MPa (1450 PSI).
- With a small flow, the setting pressure may be unstable. Use models numbered 03 and 06 with a flow rate above 5 L/min (1.3 U.S. GPM) and model 10 with 8 L/min (2.1 U.S. GPM).

S-BG-03-*\**-L-40/4090  
S-BG-06-*\**-L-40/4090  
S-BG-10-*\**-L-40/4090

**DIMENSIONS IN  
MILLIMETRES (INCHES)**

Mounting surface  
S-BG-03: ISO 6264-AR-06-2-A  
S-BG-06: ISO 6264-AS-08-2-A  
S-BG-10: ISO 6264-AT-10-2-A

**Opposite Handle Position**

S-BG-03-*\**-R  
S-BG-06-*\**-R

Note: For other dimensions, see the figures shown left.

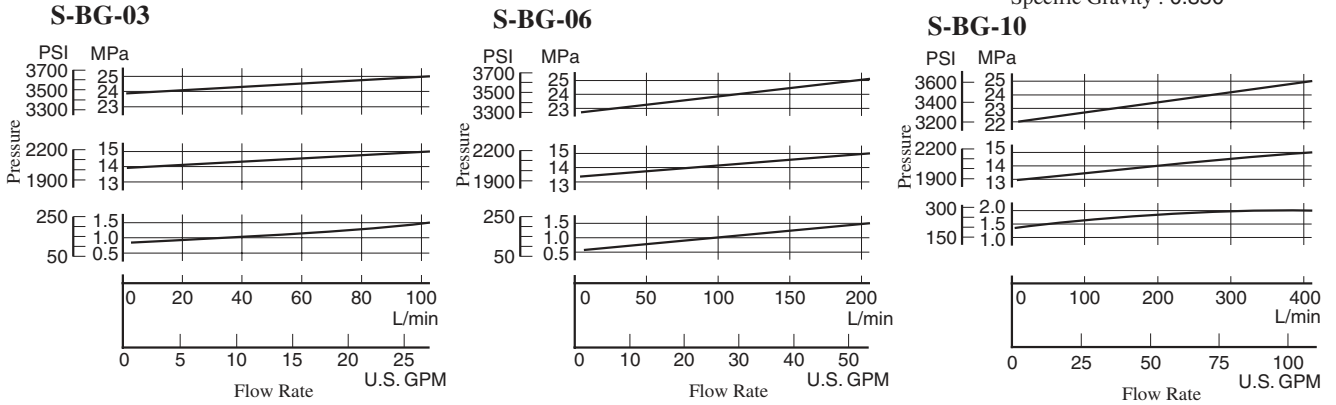
Note: For dimensions of the valve mounting surface, see the dimensional drawing (P. 213) of the sub-plate used together.

Model Numbers	"Y" Thd.
S-BG-03- <i>*</i> -* -40	Rc 1/4 = 1/4 BSP.Tr
S-BG-03- <i>*</i> -* -4090	1/4 NPT
S-BG-06- <i>*</i> -* -40	Rc 1/4 = 1/4 BSP.Tr
S-BG-06- <i>*</i> -* -4090	1/4 NPT
S-BG-10- <i>*</i> -40	Rc 1/4 = 1/4 BSP.Tr
S-BG-10- <i>*</i> -4090	1/4 NPT

Model Numbers	Dimensions mm (Inches)																	
	A	B	C	D	E	F	H	J	K	N	P	Q	S	T	U	V	X	Z
S-BG-03	76 (2.99)	53.8 (2.12)	11.1 (.44)	26.9 (1.06)	53.8 (2.12)	73.6 (2.90)	26.9 (1.06)	163.5 (6.44)	13.5 (.53)	21 (.83)	50 (1.97)	130 (5.12)	103 (4.06)	21.5 (.85)	106 (4.17)	26.1 (1.03)	13 (.51)	36.1 (1.42)
S-BG-06	98 (3.86)	70 (2.76)	14 (.55)	35 (1.38)	66.7 (2.63)	58.8 (2.31)	33.7 (1.33)	163.5 (6.44)	17.5 (.69)	26 (1.02)	50 (1.97)	130 (5.12)	103 (4.06)	26 (1.02)	122 (4.80)	19.3 (.76)	13 (.51)	21.3 (.84)
S-BG-10	120 (4.72)	82.6 (3.25)	18.7 (.74)	41.3 (1.63)	88.9 (3.50)	46.1 (1.81)	44.9 (1.77)	180 (7.09)	21.5 (.85)	32 (1.26)	65 (2.56)	167 (6.57)	135 (5.31)	33.5 (1.32)	155 (6.10)	21.1 (.83)	18 (.71)	—

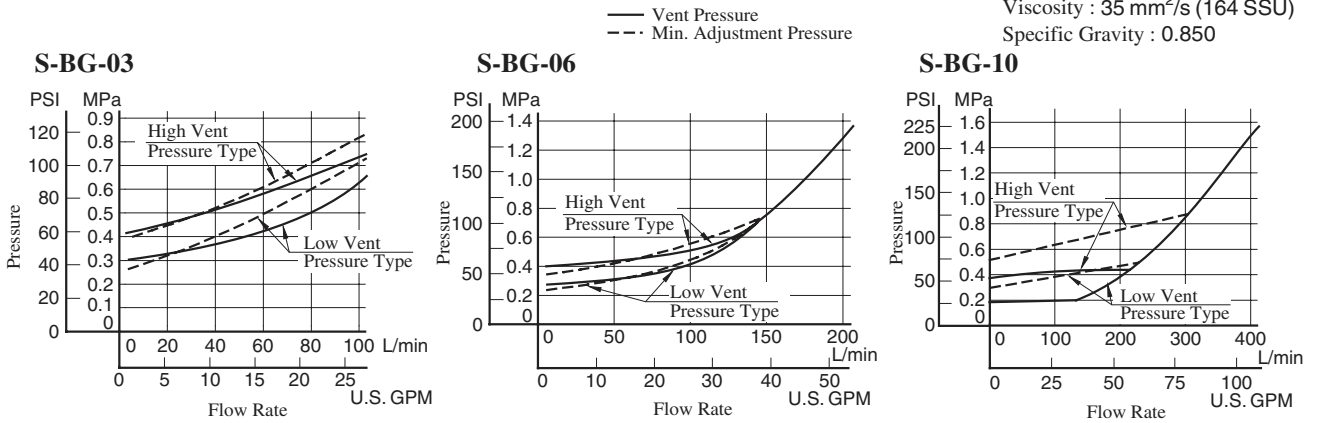
**Nominal Override Characteristics**

Hydraulic fluid:  
 Viscosity : 35 mm<sup>2</sup>/s (164 SSU)  
 Specific Gravity : 0.850



**Min. Adj. Pressure and Vent Pressure vs. Flow**

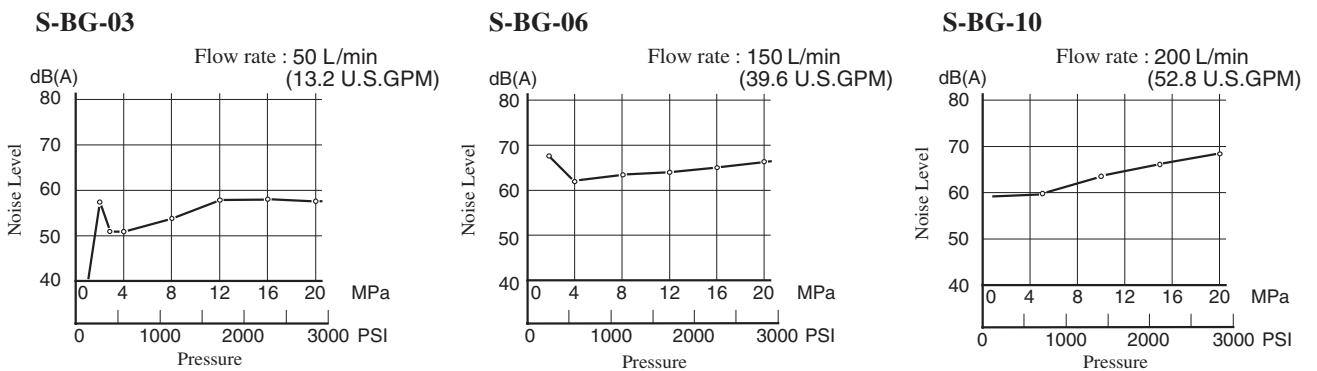
Hydraulic fluid:  
 Viscosity : 35 mm<sup>2</sup>/s (164 SSU)  
 Specific Gravity : 0.850



**Noise Level**

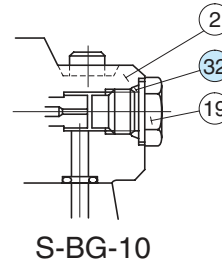
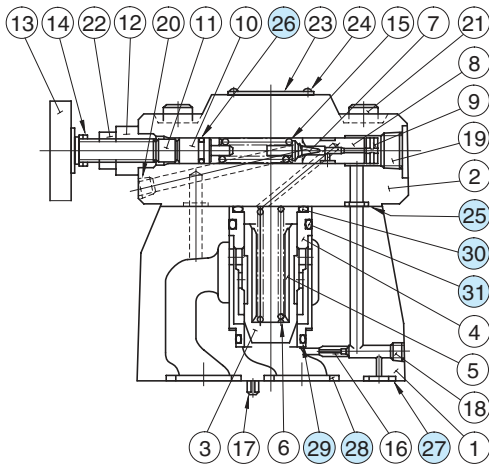
**Measuring condition**

Measuring position: At 1m (3.3 ft.) back from the valve front.  
 Viscosity : 35 mm<sup>2</sup>/s (164 SSU)  
 Back pressure : 0.1 MPa (14.5 PSI)



■ Spare Parts List

S-BG-03,06,10-\*-40/4090



● List of Seals

Item	Name of Parts	Part Numbers			Qty.
		S-BG-03	S-BG-06	S-BG-10	
25	O-Ring	SO-NB-P9	SO-NB-P9	SO-NB-P9	2
26	O-Ring	SO-NA-P9	SO-NA-P9	SO-NA-P9	1
27	O-Ring	SO-NB-P9	SO-NB-P11	SO-NB-P9	1
28	O-Ring	SO-NB-P18	SO-NB-P28	SO-NB-P32	2
29	O-Ring	SO-NB-A024	SO-NB-A024	SO-NB-A128	1
30	O-Ring	SO-NB-P28	SO-NB-P28	SO-NB-P36	1
31	O-Ring	SO-NB-P32	SO-NB-P32	SO-NB-P42	1
32	O-Ring	—	—	SO-NB-P14	1

Note: When ordering the seals, please specify the seal kit number from the table below.

● List of Seal Kits

Valve Model Numbers	Seal Kit Numbers
S-BG-03	KS-S-BG-03-40
S-BG-06	KS-S-BG-06-40
S-BG-10	KS-S-BG-10-40