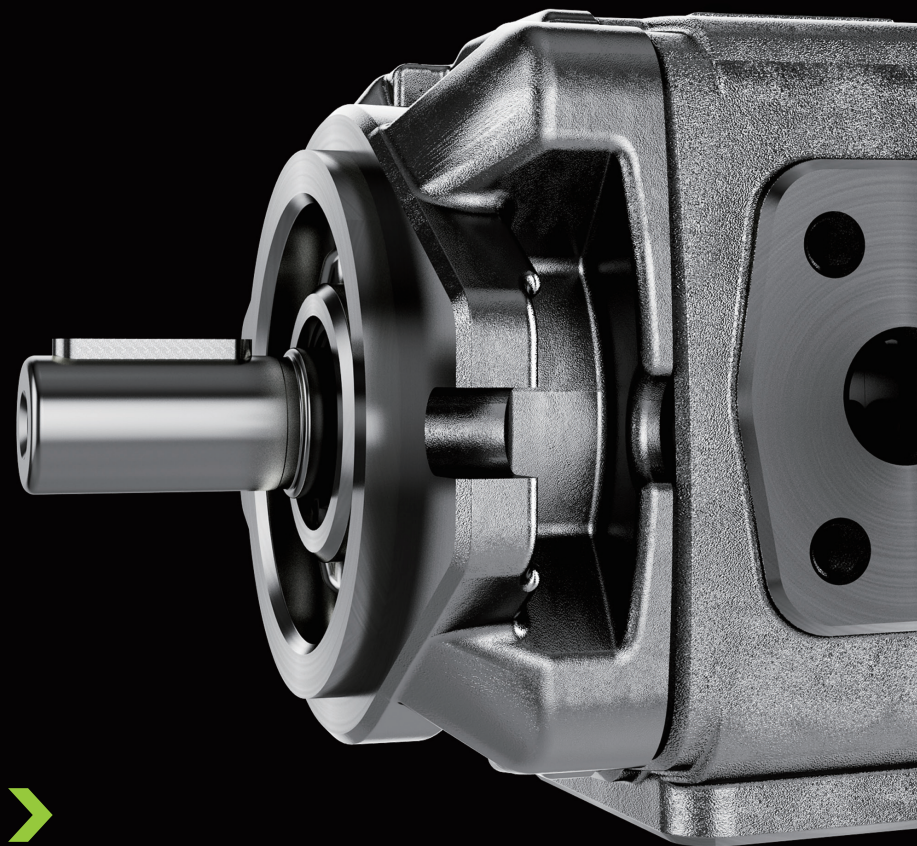


H · Y · T · E · K



HYTEK

INTERNAL GEAR PUMP



www.yuken.cz, info@yuken.cz

HG SERIES GEAR PUMP

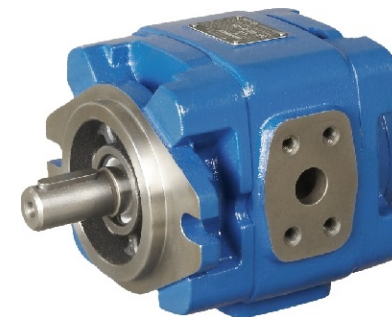
HG SINGLE PUMP

Product show and brief introduction

HG0 Size: 8...20

HG1 Size: 25...63

HG2 Size: 80...160



Content:

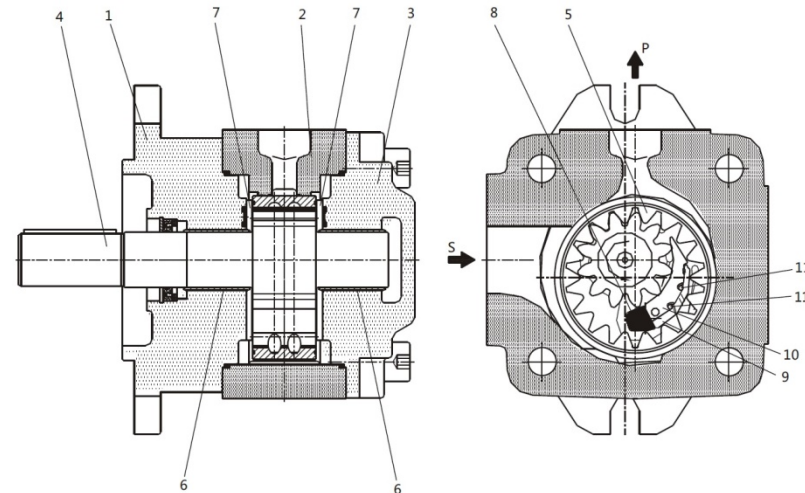
Model code	1
Specification.....	2
Installation dimensions.....	4
Port flange dimensions.....	9

MODEL CODE

		HG	1	-40	-01	R	-V	P	C
PUMP									
Internal gear pump		HG							
CODE									
Displacement 8...20		0							
Displacement 25...63		1							
Displacement 80...160		2							
SIZE									
Displacement (cc/rev)									
8	10	13	16	20	25	32	40	50	63
80	100	125	160						
CODE									
		01							
DIRECTION OF ROTATING (VIEWED ON SHAFT END)									
CW		R							
SEAL TYPE									
Viton		V							
SHAFT									
Key shaft		P							
Splined shaft		S							
MOUNTING FLANGE									
SAE 2 holes		C							

SPECIFICATION: STRUCTURE

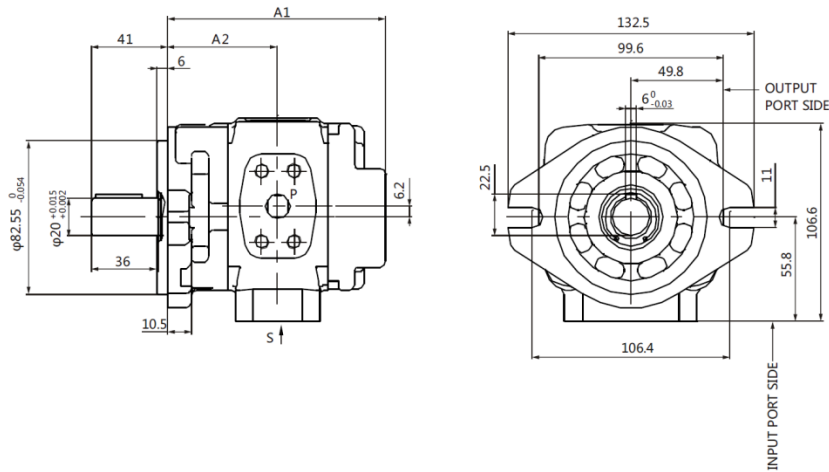
HG is fixed displacement and intermittent compensation internal gear pump. Front body (1), Middle housing (2), Rear Cover (3), Shaft bearing (4), Annular gear (5), Sliding bearing (6), Slide plate (7), Locating rod (8), Crescent side plate (9), Crescent main plate (19) and Plastic rod (11).



MODEL	SIZE	DISP. cc/rev	PRESSURE bar		ROTATING SPEED r/min		WEIGHT kg
			Rated	Max	Max	Min	
HG0	8	8.0	250	300	3000	600	4.4
	10	10.0	315	350	3000	600	4.6
	13	13.3	315	350	3000	600	4.9
	16	16.0	315	350	3000	600	5.2
	20	20.0	315	350	3000	600	5.6
HG1	25	25.3	315	350	3000	200	14.5
	32	32.7	315	350	3000	200	15
	40	40.1	315	350	3000	200	16
	50	50.7	315	350	3000	200	17
	63	63.7	315	350	3000	200	18.5
HG2	80	81.4	315	350	3000	200	43.5
	100	100.2	315	350	3000	200	45.5
	125	125.3	315	350	3000	200	48
	160	162.8	210	260	3000	200	52

INSTALLATION

HGO-※-01R-VPC (P SHAFT)

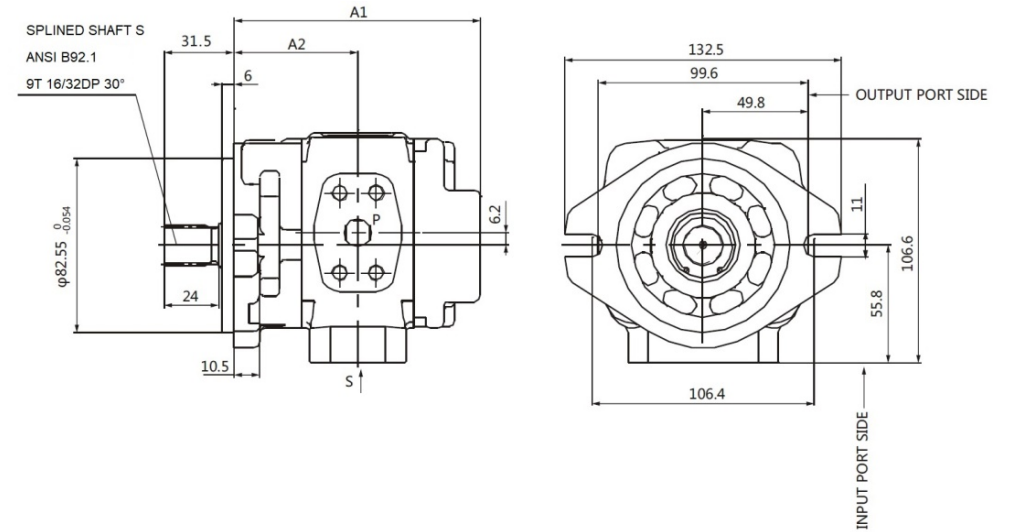


MODEL CODE	A1	A2	S	P
HGO-08-01R-VPC	107	54	SAE 3000 ¾" (Ø19)	SAE 3000 ½" (Ø13)
HGO-10-01R-VPC	111	56	SAE 3000 1" (Ø21)	
HGO-13-01R-VPC	117.5	59.25		
HGO-16-01R-VPC	123	62	SAE 3000 1¼" (Ø26)	SAE 3000 ¾" (Ø18)
HGO-20-01R-VPC	131	66		

Port flange dimension page 9

INSTALLATION DIMENSIONS

HGO-※-01R-VSC (S SHAFT)

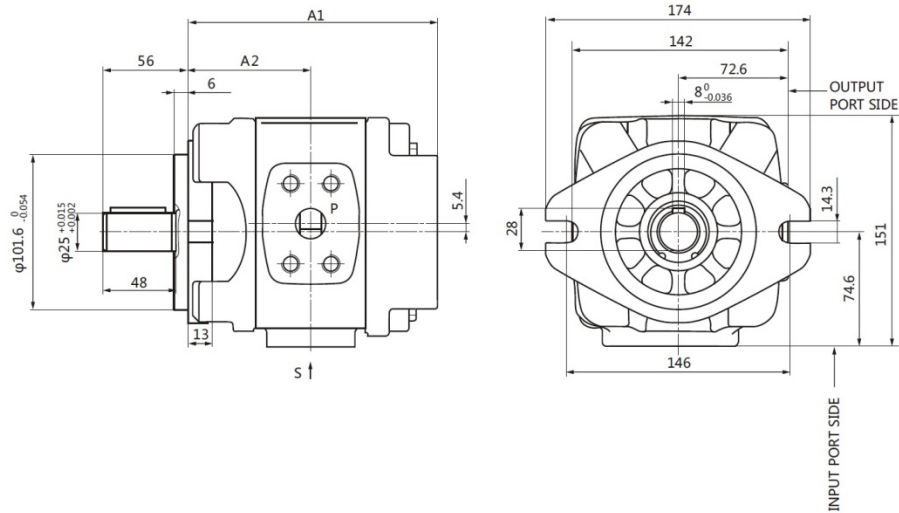


MODEL CODE	A1	A2	S	P
HGO-08-01R-VSC	107	54	SAE 3000 ¾" (Ø19)	SAE 3000 ½" (Ø13)
HGO-10-01R-VSC	111	56	SAE 3000 1" (Ø21)	
HGO-13-01R-VSC	117.5	59.25		
HGO-16-01R-VSC	123	62	SAE 3000 1¼" (Ø26)	SAE 3000 ¾" (Ø18)
HGO-20-01R-VSC	131	66		

Port flange dimension page 9

INSTALLATION DIMENSIONS

HG1-※-01R-VPC (P SHAFT)

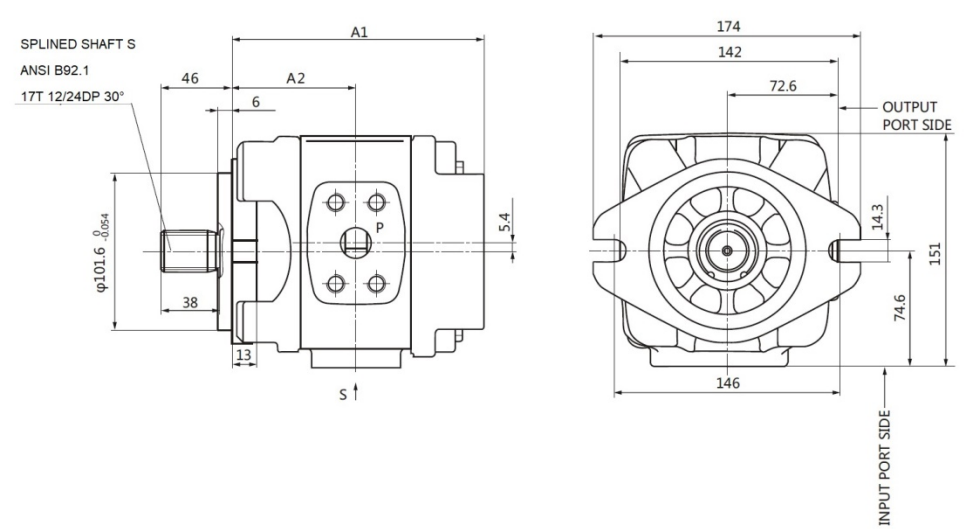


MODEL CODE	A1	A2	S	P
HG1-25-01R-VPC	139	73	SAE 3000 1¼" (Ø32)	SAE 3000 ¾" (Ø18)
HG1-32-01R-VPC	146	76.5		SAE 3000 1" (Ø20)
HG1-40-01R-VPC	153	80		
HG1-50-01R-VPC	163	85		
HG1-63-01R-VPC	177	92		

Port flange dimension page 9

INSTALLATION DIMENSIONS

HG1-※-01R-VSC (S SHAFT)

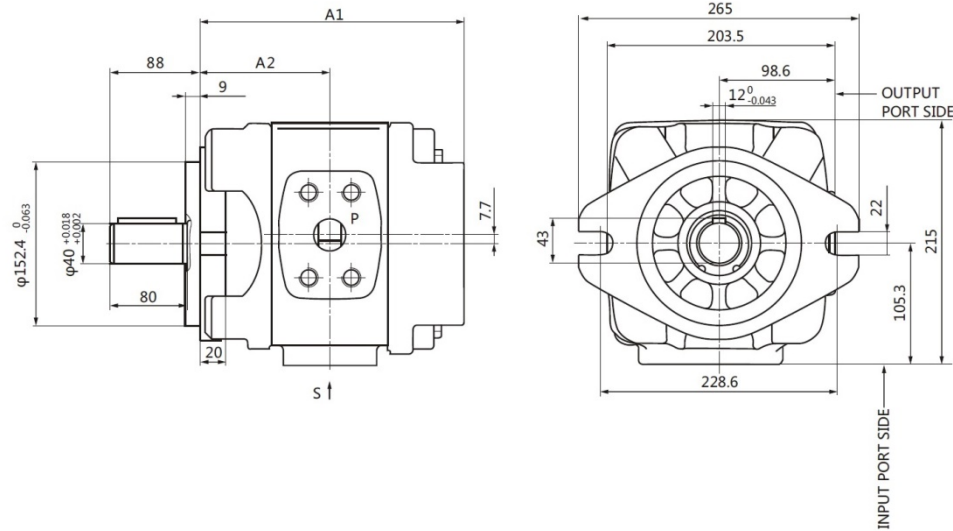


MODEL CODE	A1	A2	S	P
HG1-25-01R-VSC	139	73	SAE 3000 1¼" (Ø32)	SAE 3000 ¾" (Ø18)
HG1-32-01R-VSC	146	76.5		SAE 3000 1" (Ø20)
HG1-40-01R-VSC	153	80		
HG1-50-01R-VSC	163	85		
HG1-63-01R-VSC	177	92		

Port flange dimension page 9

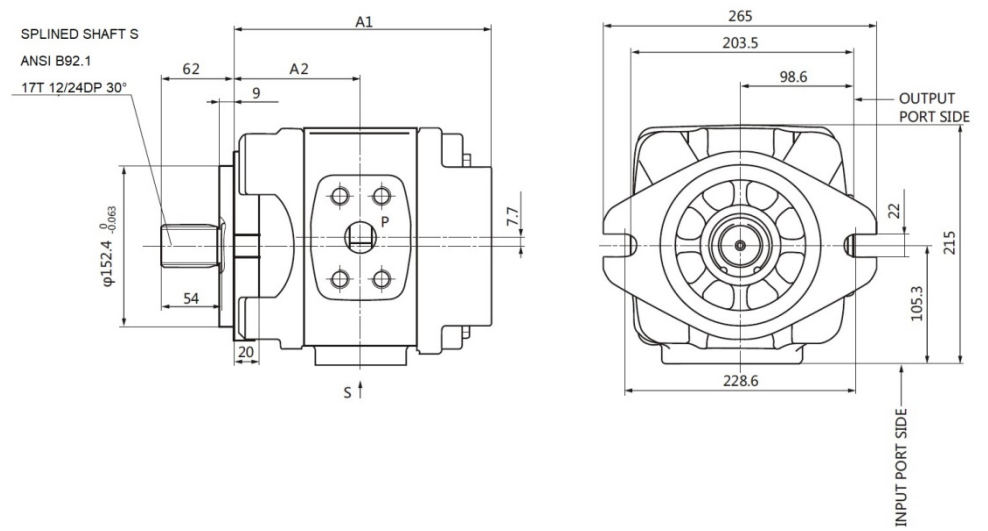
INSTALLATION DIMENSIONS

HG2-※-01R-VPC (P SHAFT)



INSTALLATION DIMENSIONS

HG2-※-01R-VSC (S SHAFT)



MODEL CODE	A1	A2	S	P
HG2-80-01R-VPC	204	109.5	SAE 3000 2"	SAE 3000 1 1/2"
HG2-100-01R-VPC	213	114	(Ø50)	(Ø32)
HG2-125-01R-VPC	225	120	SAE 3000 2 1/2" (Ø63.5)	SAE 6000 1 1/2"
HG2-160-01R-VPC	243	129	SAE 3000 3" (Ø76)	(Ø38)

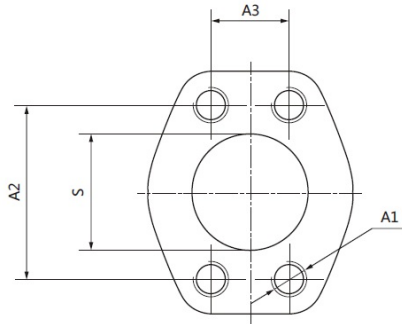
MODEL CODE	A1	A2	S	P
HG2-80-01R-VSC	204	109.5	SAE 3000 2"	SAE 3000 1 1/2"
HG2-100-01R-VSC	213	114	(Ø50)	(Ø32)
HG2-125-01R-VSC	225	120	SAE 3000 2 1/2" (Ø63.5)	SAE 6000 1 1/2"
HG2-160-01R-VSC	243	129	SAE 3000 3" (Ø76)	(Ø38)

Port flange dimension page 9

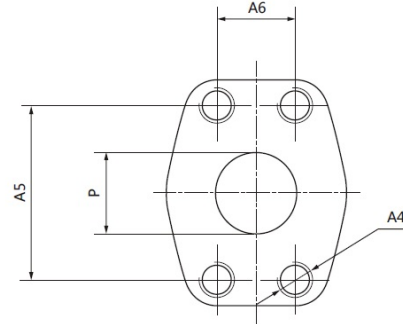
Port flange dimension page 9

PORT FLANGE DIMENSIONS

INPUT PORT "S"



OUTPUT PORT "P"



MODEL	SIZES	S	A1	A2	A3	P	A4	A5	A6				
HG0	8	SAE 3000 ¾" (Ø19)	M10 DEEP 15	47.6	22.2	SAE 3000 ½" (Ø13)	M8 DEEP 13	38.1	17.5				
	10	SAE 3000 1" (Ø21)		52.4	26.2								
	13			SAE 3000 ¾" (Ø18)	M10 DEEP 15	47.6	22.2						
	16							20	SAE 3000 1 ¼" (Ø26)	58.7	30.2		
HG1	25	SAE 3000 1 ¼" (Ø32)	M10 DEEP 17	58.7	30.2	SAE 3000 ¾" (Ø18)	M10 DEEP 17	47.6	22.2				
	32					SAE 3000 1" (Ø20)				M10 DEEP 17	52.4	26.2	
	40						SAE 3000 1 ½" (Ø32)	M12 DEEP 20	77.8				42.9
	50												
	63					80	SAE 3000 2" (Ø50)	88.9	50.8	69.9	35.7		
HG2	100	SAE 3000 2 ½" (Ø63.5)	M 16 DEEP 25	106.4	61.9	SAE 6000 1 ½" (Ø38)	M16 DEEP 25	79.4	36.5				
	125	SAE 3000 3" (Ø76)	M 16 DEEP 25	106.4	61.9	SAE 6000 1 ½" (Ø38)	M16 DEEP 25	79.4	36.5				
	160	SAE 3000 3" (Ø76)	M 16 DEEP 25	106.4	61.9	SAE 6000 1 ½" (Ø38)	M16 DEEP 25	79.4	36.5				